

RGE-GS 胀紧套型 (钢)

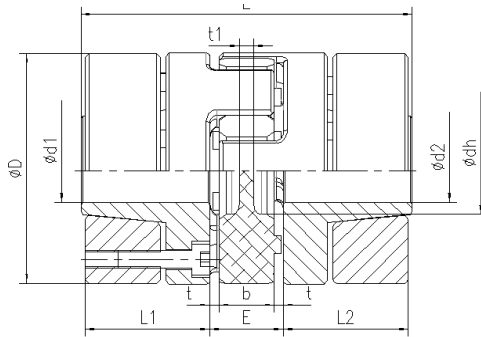
RGE-GS Locking Device Type (S)

产品特点

- 无齿隙传动，一体式胀紧轴套
- 适用于机床主轴传动、压机轧辊传动
- 运转非常平稳，线速度可达50m/s
- 高响应速度，传递扭矩大，运转平稳
- 内侧的胀紧套螺栓更易拆装
- 正反转特性相同

Characteristics:

Zero Backlash, Integrated design
 Applied to spindle of machining tools and press roller, etc..
 Smooth operation, up to 50m/s for line speed.
 High responding speed, large transmission torque
 Easy mounting/removal for inner expansion screws
 Same features in positive and negative rotation



RGE-GS-ZT-S钢质胀紧式轴套，轴套与胀紧环材质钢 RGE-GS-ZT-S Steel Locking Shaft Sleeve, the shaft sleeve and the guide roll is made of steel																
型号 Model RGE -GS-ZT-S	扭矩 (Nm)		尺寸(mm)								胀紧螺栓			最大孔径时 单个轴套的 重量 (kg)	最大孔径时单 个轴套的转动 惯量 (kg·m ²)	
	98sh-A	64sh-D	d1 (min-max)	D	dh	L	L1;L2	E	b	t1	M	螺栓数量Z	TA (Nm)			M1
19	17	21	10-22	41	18	66	25	16	12	3	M4	6	4.1	M4	0.179	0.44 × 10 ⁻⁴
24	60	75	14-28	56	27	78	30	18	14	3	M5	4	8.5	M5	0.399	1.91 × 10 ⁻⁴
28	160	200	15-38	66	30	90	35	20	15	4	M5	8	8.5	M6	0.592	4.18 × 10 ⁻⁴
38	325	405	20-45	80	38	114	45	24	18	4	M6	8	14	M6	1.225	12.9 × 10 ⁻⁴
42	450	560	25-50	95	46	126	50	26	20	4	M8	4	35	M8	2.3	31.7 × 10 ⁻⁴
48	525	655	30-55	105	51	140	56	28	21	4	M10	4	69	M10	3.08	52.0 × 10 ⁻⁴
55	685	825	35-70	120	60	160	65	30	22	4.5	M10	4	69	M10	4.67	103.0 × 10 ⁻⁴
65	940	1175	40-70	135	68	185	75	35	26	4.5	M12	4	120	M12	6.7	191.0 × 10 ⁻⁴
75	1920	2400	42-80	160	80	210	85	40	30	5	M12	5	120	M12	9.9	396.8 × 10 ⁻⁴
90	3600	4500	50-105	200	10	245	100	45	34	6.5	M16	5	295	M16	17.7	1136 × 10 ⁻⁴

注：M1为拆卸螺纹，位于胀紧螺栓之间

注：Ø55以下的配合为H7/k6，Ø55以上（含Ø55）的配合为G7/m6。

Note:

1.M1 stands for removing thread, which is between the expansion screws.

2.Max Transmission torque under max gap, see above table, H7/K6 for Size ϕ 55, G7/m6 for size $\geq \phi</math> 55.$

选型举例：Example: RGE-GS28-ZT-20-24-98-S

RGE-GS28	ZT	20	24	98	S
产品规格 Product specifications	结构形式 Structural style	孔径 Bore diameter	孔径 Hole diameter	弹性体硬度 Elastomer hardness	材料 Material