

永磁制动器

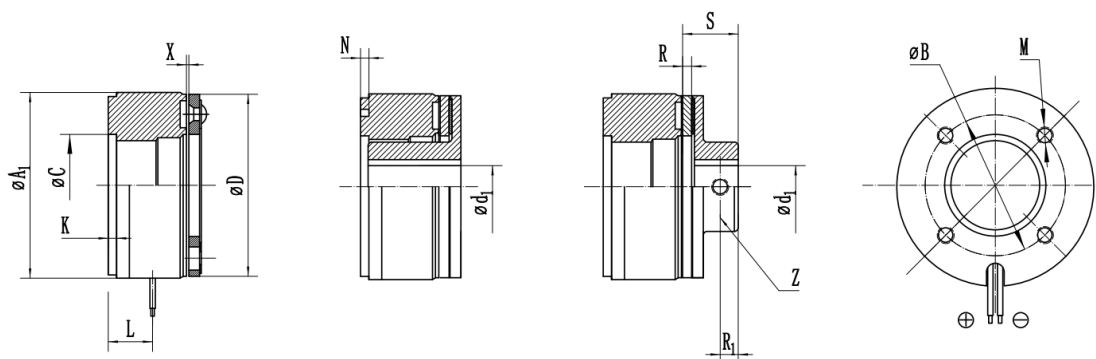
Permanent Magnet Brake

REB17系列

REB17 Series

产品特点 Product Features

- ⊙ 体积小、制动扭矩大
- ⊙ 间隙调整方便
- ⊙ 运行无滑转分离时没有残留扭矩
- ⊙ 采用螺钉安装, 使用维护简单
- ⊙ 温升高、节能
- ⊙ 低噪音 (旋转声音为电机声音)
- ⊙ 零背隙
- ⊙ 无摩擦片, 产品符合RoHS要求
- ⊙ 高温下也能保持稳定的扭矩
- ⊙ Compact size, high braking torque
- ⊙ Easy gap adjustment
- ⊙ Slip-free operation and no residual torque when disengaged
- ⊙ Easy installation with screws, simple to use and maintain
- ⊙ Low-temperature rise, energy-saving
- ⊙ Low noise
- ⊙ No backlash
- ⊙ No friction plate, compliant with RoHS standards
- ⊙ Stable torque even at high temperatures



技术参数 (DC24V) Technical Data (DC24V)

机座号 Base No.	扭矩 Static torque (N.m)	功率 Power (W)	A	B	C	D	d	K	L	M	N	R	R1	S	X	Z	制动器厚度 Brake Thickness
01	0.05	4	18	16	-	17	5	-	8	M2	-	2	3.5	7	0.1-0.2	2XM2	18
02	0.5	6	28	22	-	27	6	-	10	M2	-	2	3.5	7	0.1-0.2	2XM2	22
03	1	10	32	23	-	32.2	8	-	12	M3	-	2.5	5	5	0.15-0.25	2XM2	25.8
04	4	8	48	42	26	47	10	1.8	-	M3	2.7	3	6	6	0.15-0.25	3XM3	34
05	7	10	58	42	28	57	12	2	12.2	M3	2.7	3	6	11	0.2-0.3	3XM4	36
06	9	12	65	52	36	65	15	2	14	M4	3	3	6	12	0.2-0.3	3XM4	36
07	12	15	72	52	36	70	17	2	14	M4	3.8	3	6	12	0.2-0.3	3XM4	38
08	23	18	82	62	52	80	25.2	2.5	14	M5	7.5	3.5	6	13	0.25-0.35	3XM5	45
09	32	20	92	72	52	90	26	2.5	14	M5	9	4	6	15	0.25-0.35	3XM5	48
10	48	23	102	82	62	100	30.5	2.5	14	M6	10	6	7	16	0.25-0.35	3XM6	54
11	72	35	112	92	62	110	30	2.5	15	M6	10	7.5	8	20	0.3-0.4	3XM8	58
12	100	40	122	92	62	120	35	2.5	16	M6	10	8	8	20	0.4-0.5	3XM8	60
14	120	45	142	112	72	140	40	3	20	M8	14	10	10	24	0.4-0.5	3XM10	65
16	140	50	162	132	72	160	45	3	20	M8	14	12	10	24	0.4-0.5	3XM10	70
20	200	80	222	172	82	220	50	2	20	M8	14	12	10	24	0.45-0.55	3XM10	80